

Blue Carbon, lighting up the way home.



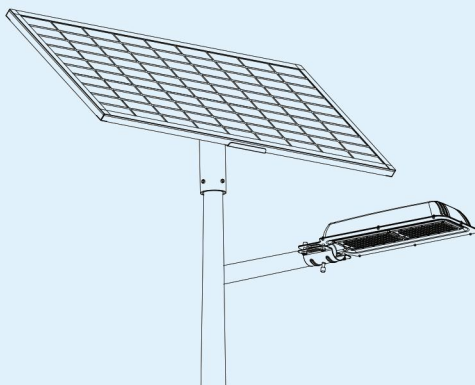
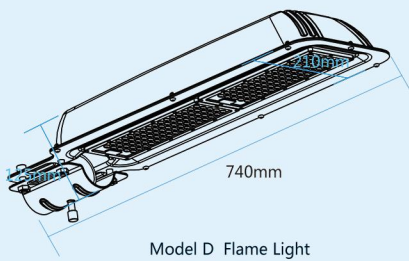
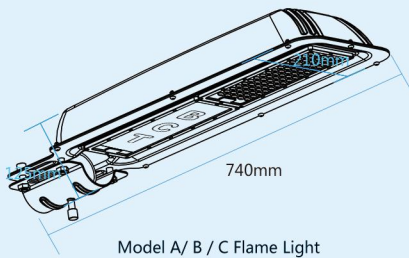
Blue Carbon
蓝晶易碳

BCT

☼ Solar Street Light (Flame Light 1.0)



Model A solar panel size : 556×516×30mm
Model B solar panel size : 670×603×30mm
Model C solar panel size : 836×670×30mm
Model D solar panel size : 992×836×30mm



BCT

☼☼ Solar Street Light (Flame Light 1.0)

Product advantage

- The light never be off no matter how many rainy or cloudy days.
- The light can be installed from Equator area to Polar regions. The working temperature is -47-90°C.
- Integrated design, modular production and one screw installation.
- Low voltage design. Safe and reliable.
- Integrated package, convenient transportation.
- Used high efficiency LiFePO4 battery which usually used for electric bus.
- Imported Japanese Nichia LED SMD with 50000 hrs life span. (Nichia LED Got the Nobel Prize at 2014).

Applicable place:

It is widely used in streets and roads, residential areas, scenic spots, parks, squares, private gardens and other public places.

Product Parameters

| | | | | | |
|-----------------------|------------------|--|---|---|--|
| Solar Panel | Solar Panel | 5V/40W | 5V/60W | 5V/90W | 5V/150W |
| | Life Span | 25years | 25years | 25years | 25years |
| Battery | Voltage/capacity | 3.2V/50Ah LiFePO4 battery | 3.2V/70Ah LiFePO4 battery | 3.2V/100Ah LiFePO4 battery | 3.2V/160Ah LiFePO4 battery |
| | Life Span | 8-12years | 8-12years | 8-12years | 8-12years |
| LED | Luminous Flux | 3200Lm / Nichia LED (Common 20W LED) | 4800Lm / Nichia LED (Common 30W LED) | 8000Lm / Nichia LED (Common 50W LED) | 12800Lm / Nichia LED (Common 80W LED) |
| | Life Span | 50,000hrs | 50,000hrs | 50,000hrs | 50,000hrs |
| Installation Height | | 5-6m | 6-8m | 8-10m | 8-10m |
| Installation Distance | | 20-30m | 25-35m | 35-45m | 40-50m |
| Linghting Time | | All night lighting, the first 6 hrs full power lighting, the rest night lighting is intelligent power control. | | | |
| Lens | | Outdoor anti-ultraviolet high light transmission optical grade PC lens | | | |
| Warranty | | 5years | | | |
| Qty of Package | | 1set | | | |
| Package size (LED) | | 775×230×105mm | | | |





Shandong, China



Hunan, China



Thailand



Philippines



Gansu, China



Henan, China